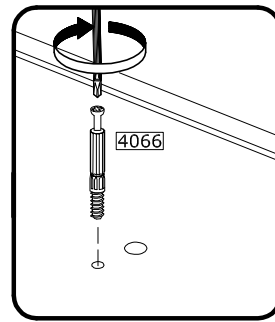
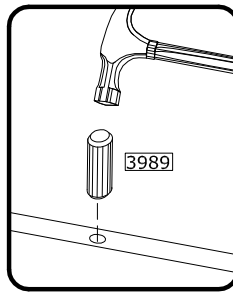
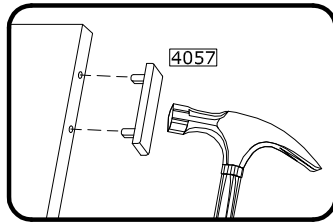
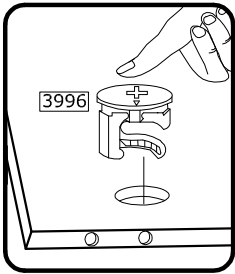
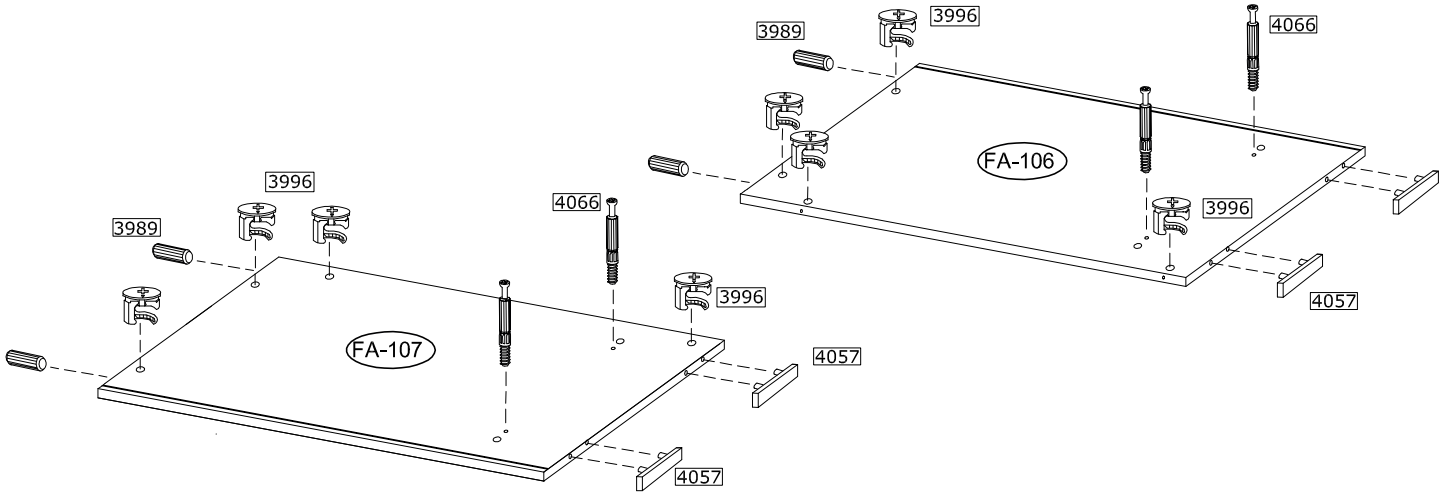


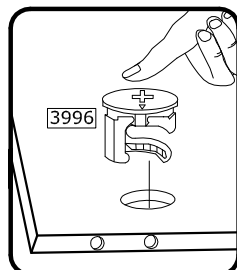
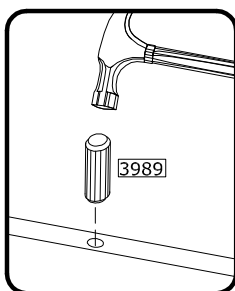
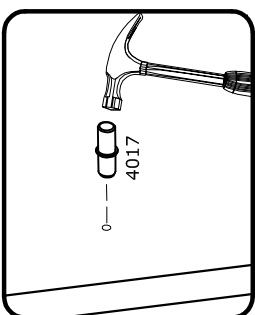
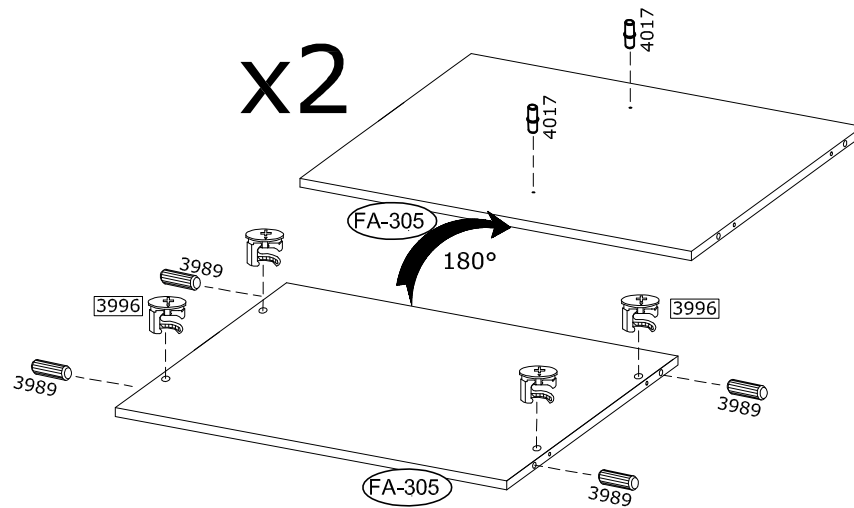
# 1.

3996  x8	3989  x4	4066  x4	4057  x4	
--	--	--	--	--



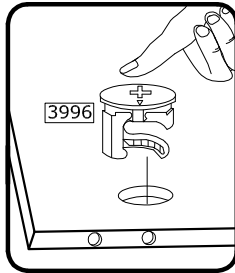
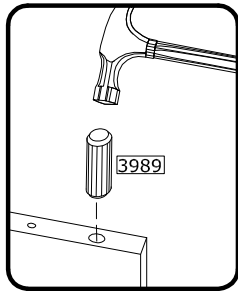
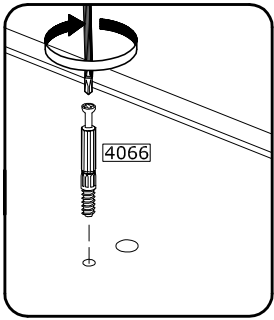
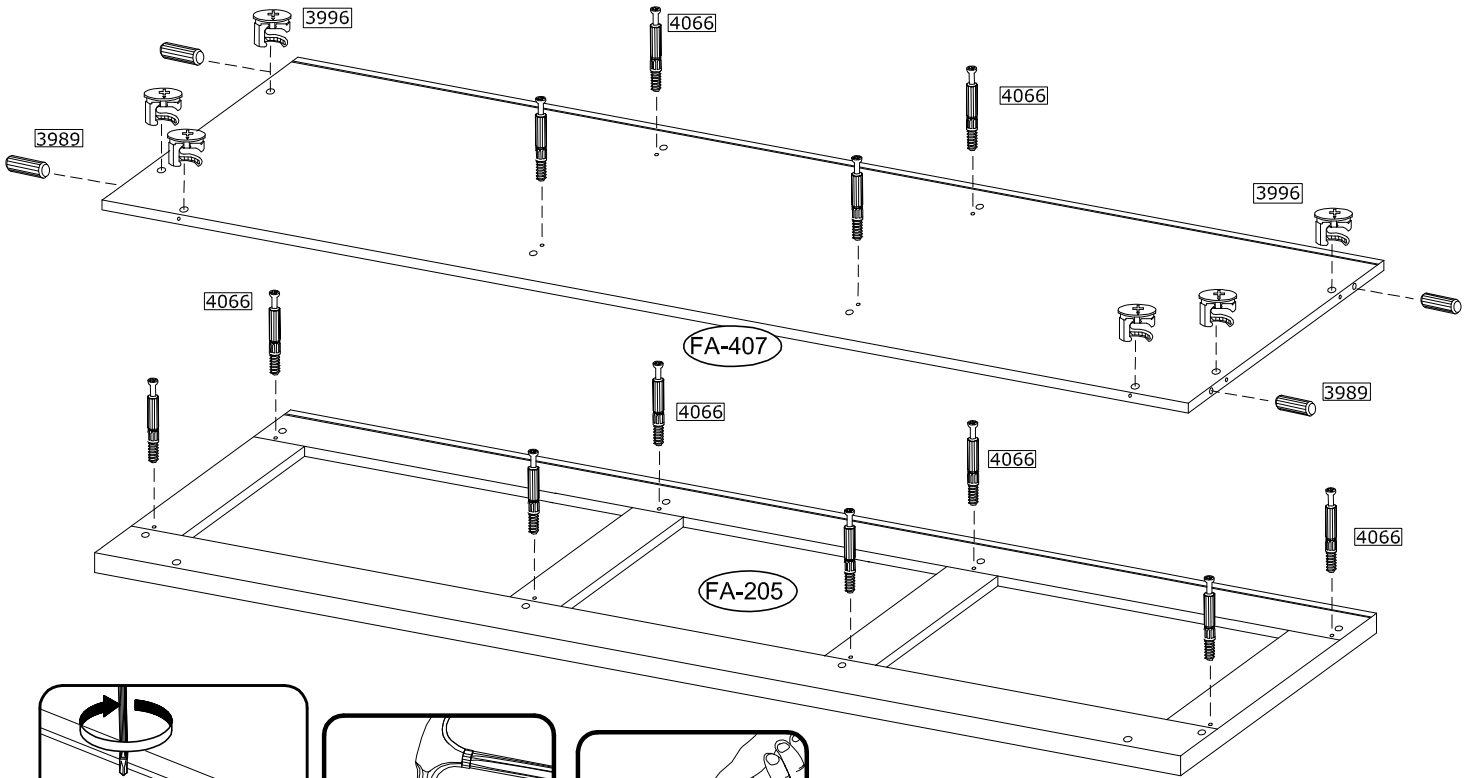
# 2.

3996  Bx8	3989  Dx8	4017  POx4	
--	--	---	---



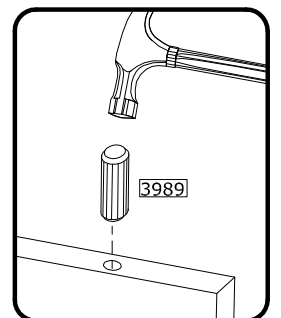
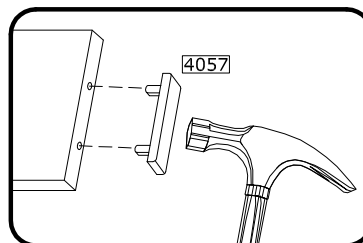
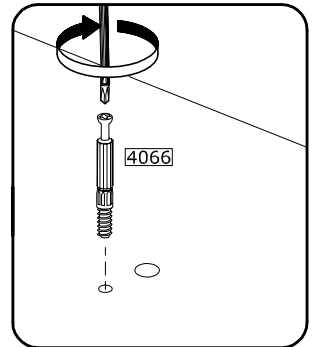
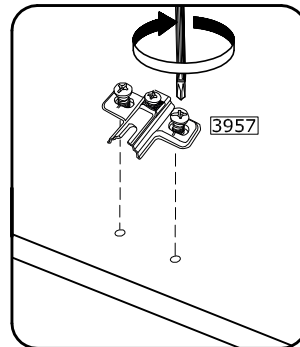
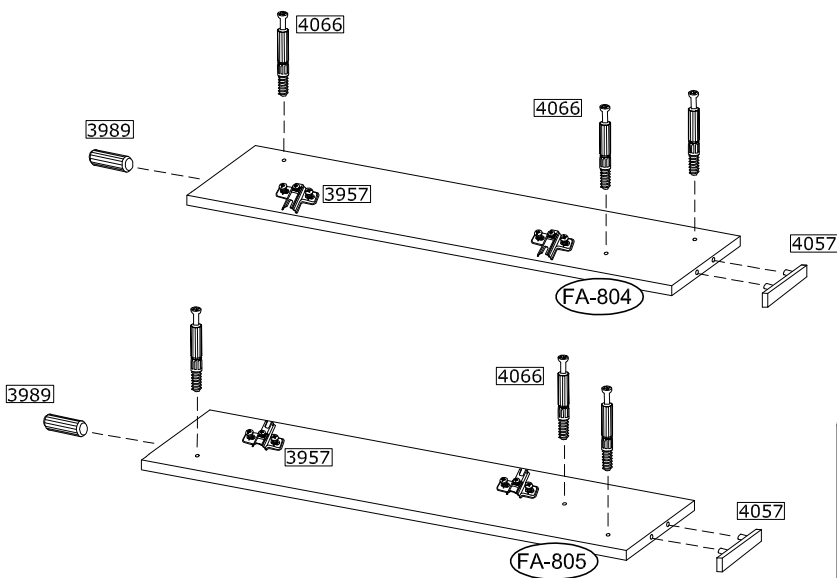
# 3.

3996  x6	3989  x4	4066  x12		
--	--	---	--	--



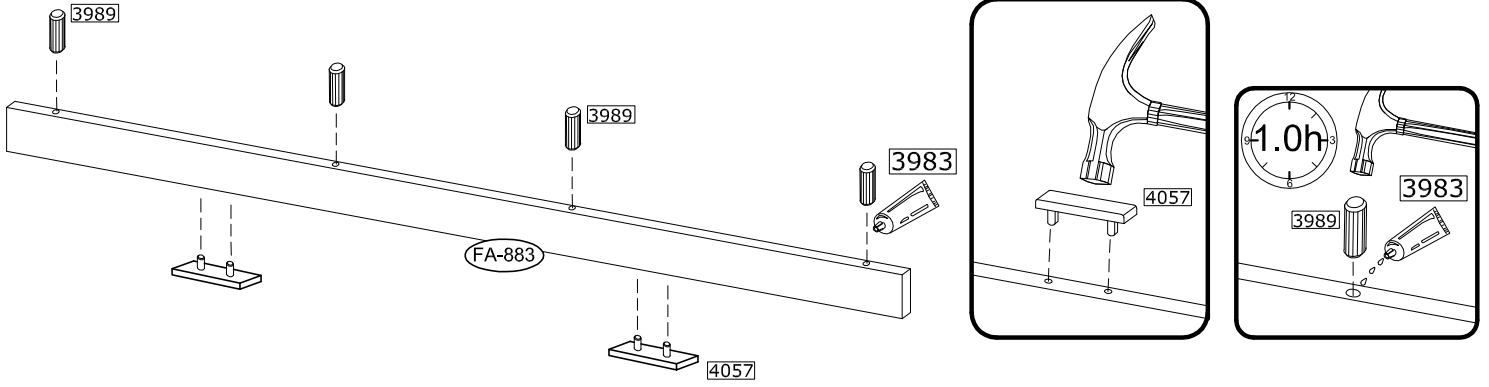
# 4.

4057  x2	3989  x2	4066  x6	3957  x4	
---	---	---	---	---




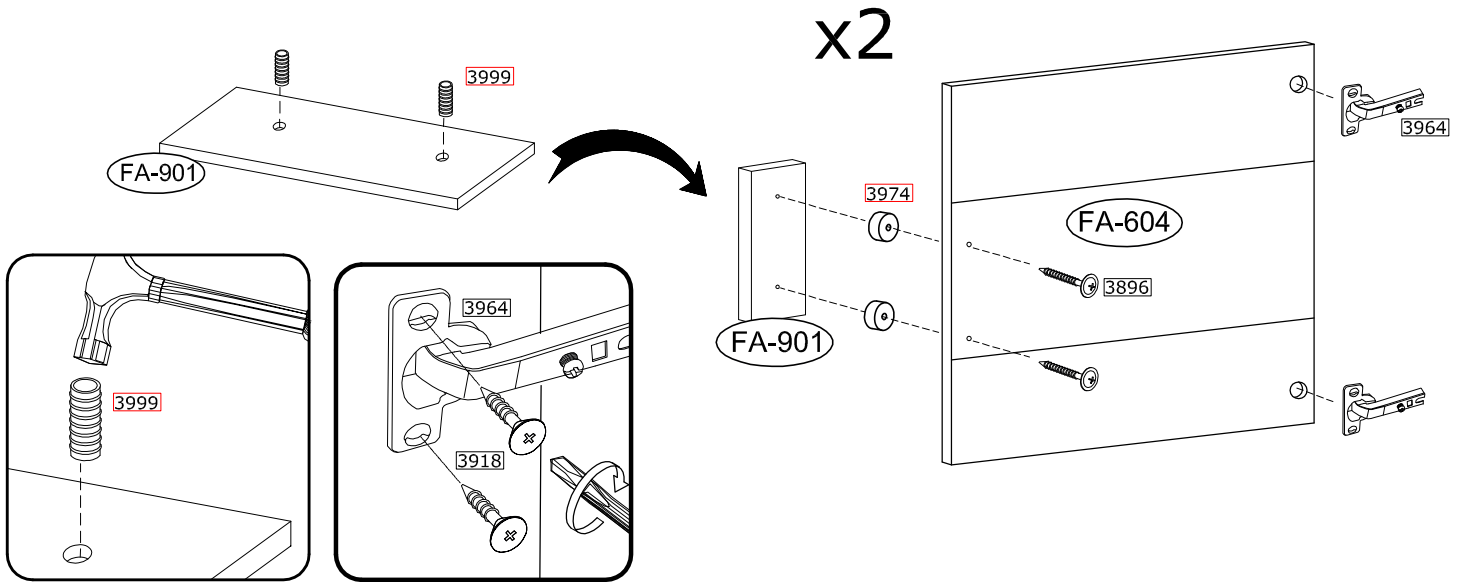
# 5.

4057 x2	3989 x4	3983 KL		
------------	------------	------------	--	--



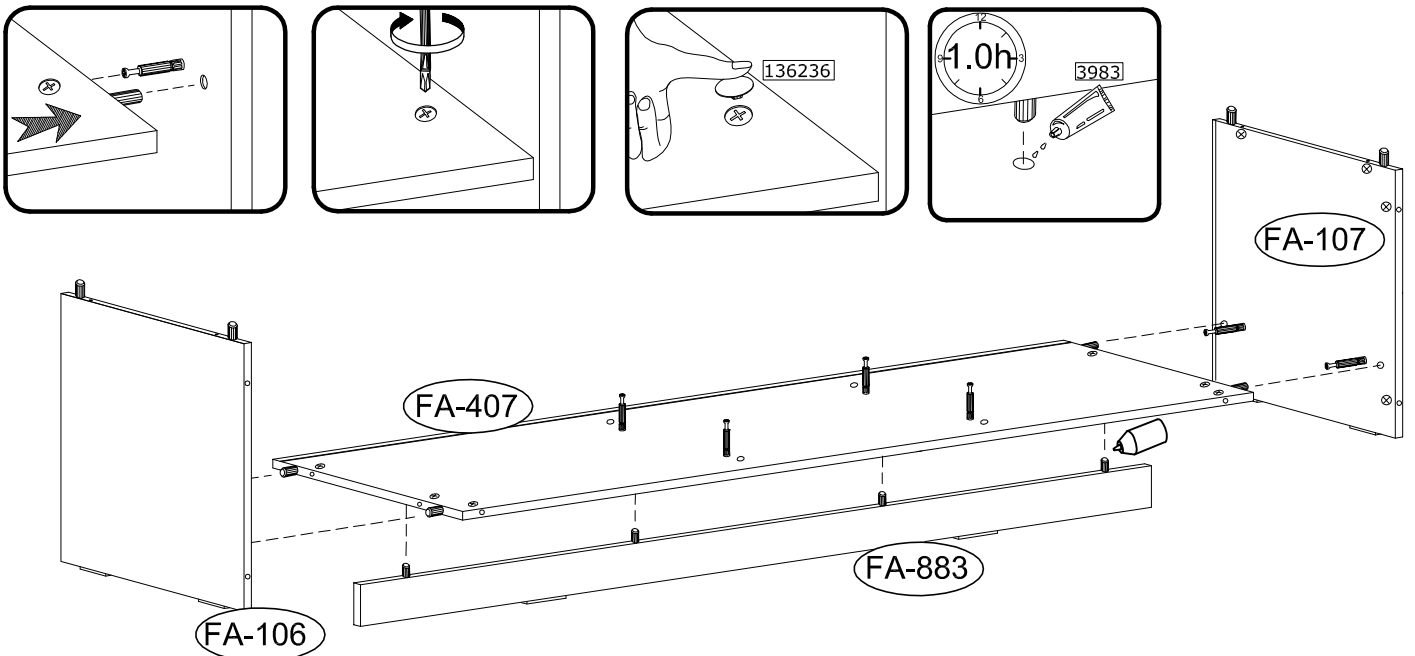
# 6.

3918 x8	3964 x4	3974 x4	3896 x4	3999 x4		
------------	------------	------------	------------	------------	--	---



# 7.

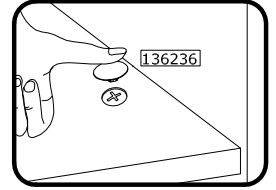
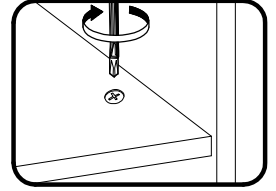
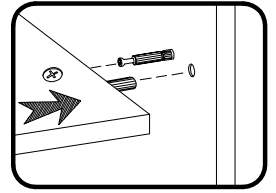
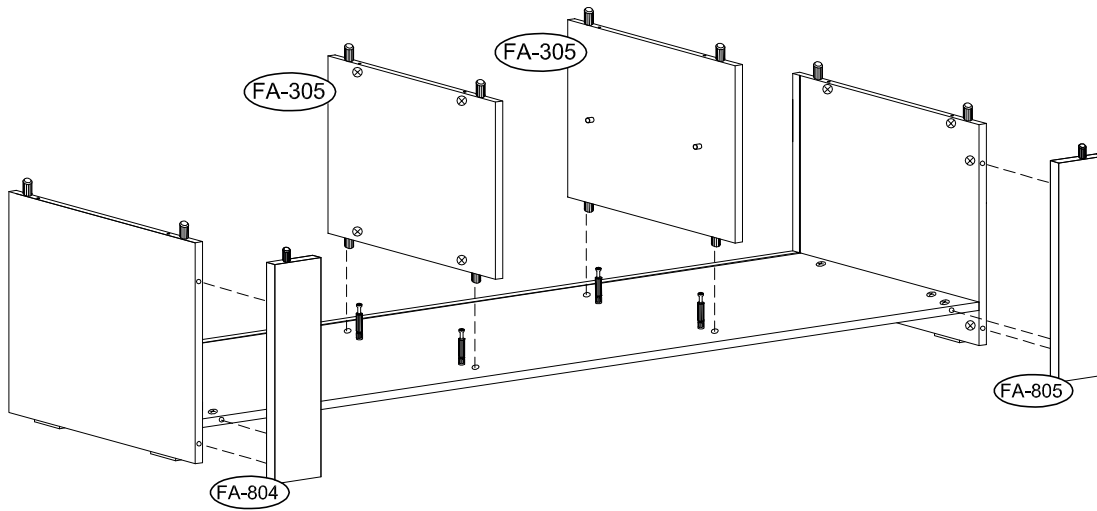
136236 x4	3983 x1			
--------------	------------	--	--	---



8.

136236

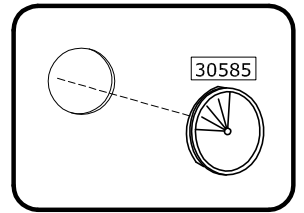
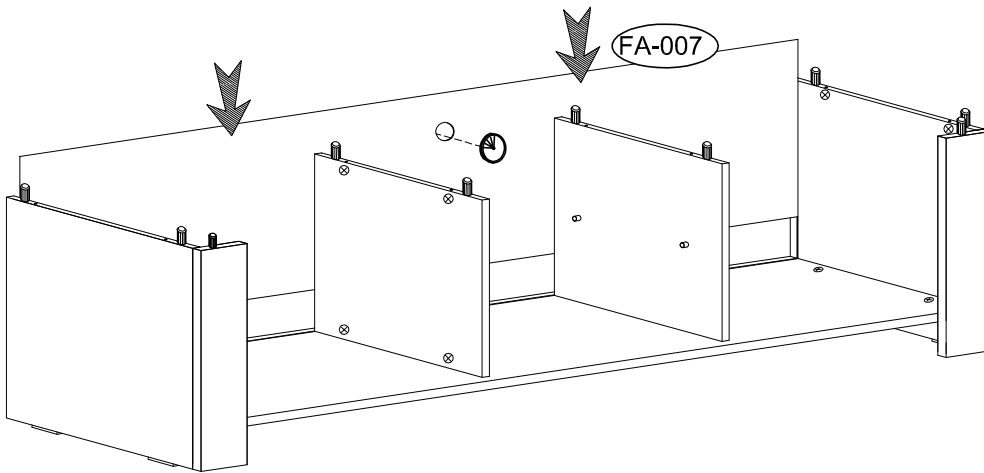
x10



9.

30585

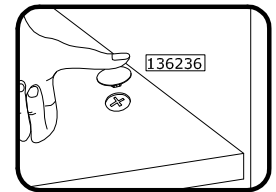
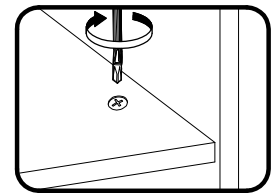
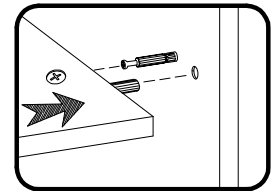
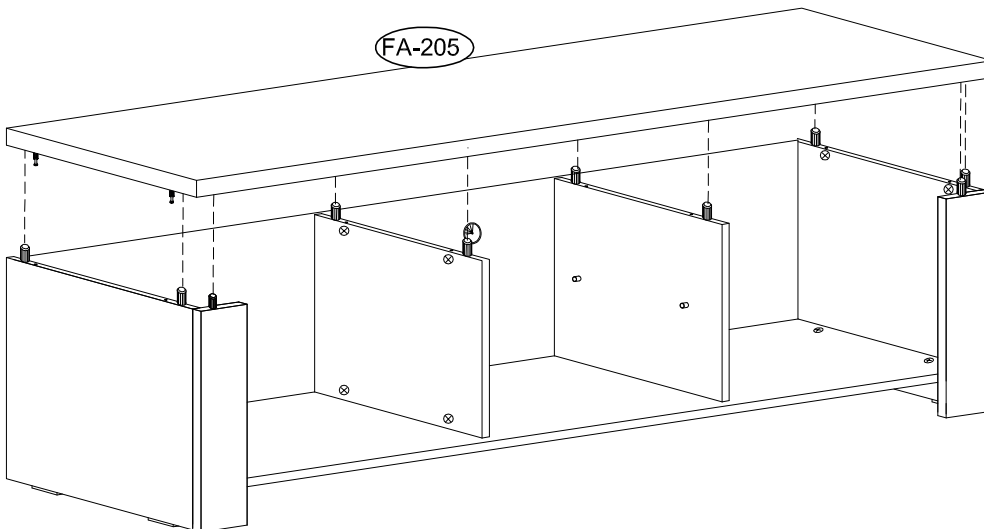
x1



10.

136236

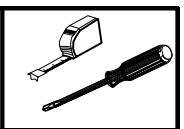
x8



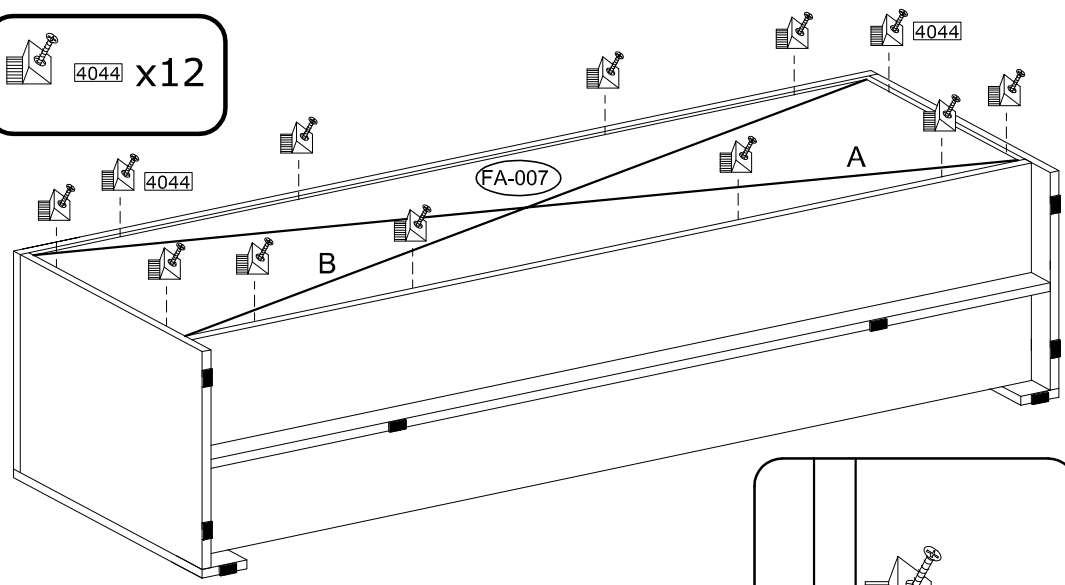


# 11.

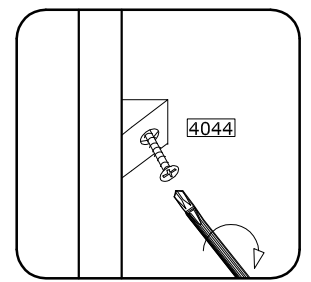
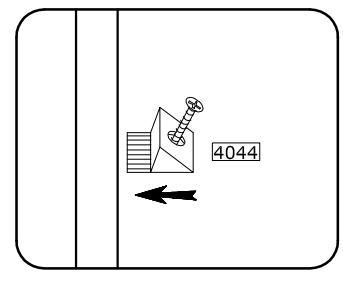
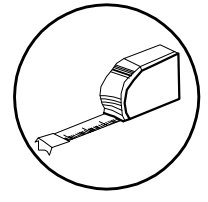
4044  
x12



4044 x12



A=B



# 12.

